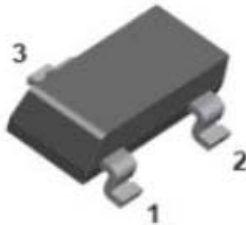
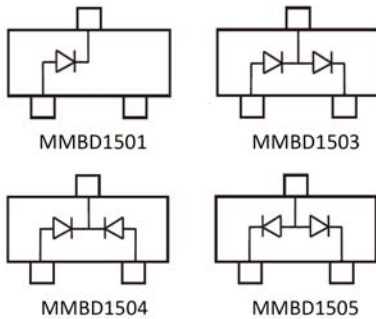


Small Signal Diode



Features

- Moisture sensitivity level 1
- Reverse voltage: 200V
- Average forward current : 200mA

Application

- Signal switching
- High frequency rectifier

Mechanical data

- **Package:** SOT-23
- **Terminals:** Tin plated leads, solderable per J-STD-002 and JESD22-B102

■ Maximum Ratings (T_a=25°C Unless otherwise specified)

Parameter	Symbol	Unit	Value	
Device marking code			MMBD1501	11
			MMBD1503	13
			MMBD1504	14
			MMBD1505	15
Repetitive peak reverse voltage	V _{RRM}	V	200	
Forward current, per leg	I _F	mA	200	
Non-repetitive Surge peak forward current @ t=8.3ms half-sine wave	I _{FSM}	A	1	
Non-repetitive Surge peak forward current @ t=1ms square wave			2	
Power dissipation	P _D	mW	300	
Junction temperature	T _J	°C	-55 to +150	
Storage temperature	T _{STG}	°C	-55 to +150	



MMBD1501/1503/1504/1505

RoHS
COMPLIANT

■ Electrical Characteristics (T_a=25°C Unless otherwise specified)

Parameter	Symbol	UNIT	Conditions	Min	TYP	Max
Reverse voltage	V _R	V	I _R =5uA	200		
Forward voltage	V _{F1}	V	I _F =1mA	0.62		0.75
	V _{F2}	V	I _F =10mA	0.72		0.85
	V _{F3}	V	I _F =50mA	0.8		0.95
	V _{F4}	V	I _F =100mA	0.83		1.1
	V _{F5}	V	I _F =200mA	0.87		1.3
	V _{F6}	V	I _F =300mA	0.9		1.5
Reverse leakage current	I _R	nA	V _R =180V			10
Junction capacitance	C _j	pF	V _R =0V,f=1MHz			4

■ Thermal Characteristics

Parameter	Symbol	Unit	Value
Thermal resistance, junction-to-ambient	R _{θJ-A} ⁽¹⁾	°C/W	417
Thermal resistance, junction-to-case	R _{θJ-C} ⁽¹⁾	°C/W	333

Note:

(1) Device mounted on PCB, single-sided copper, with standard footprint



■ Characteristics

Fig 1: P_D-T_a Curve

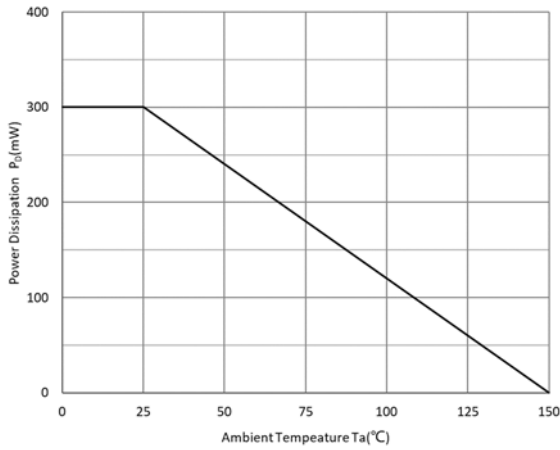


Fig 2: Capacitance Capability

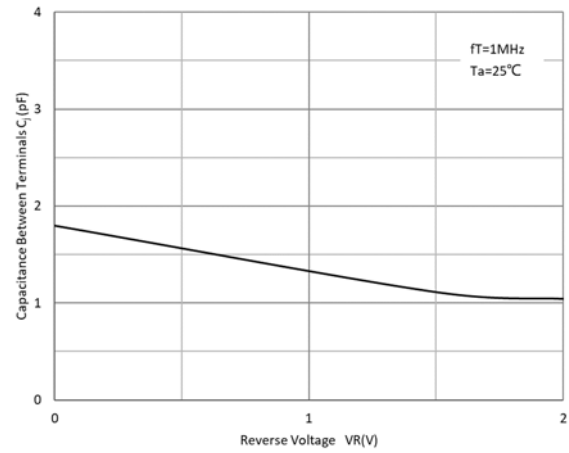


Fig 3: Typical Forward Characteristics

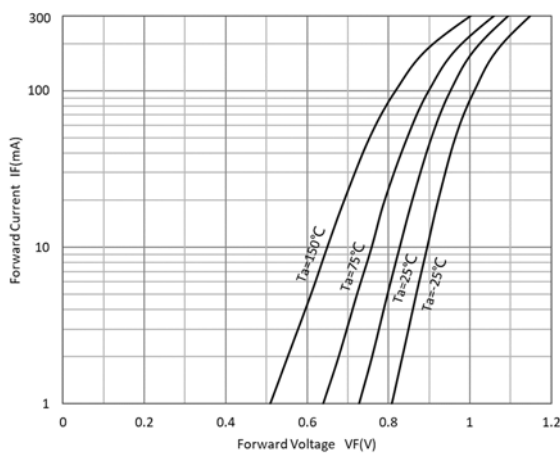
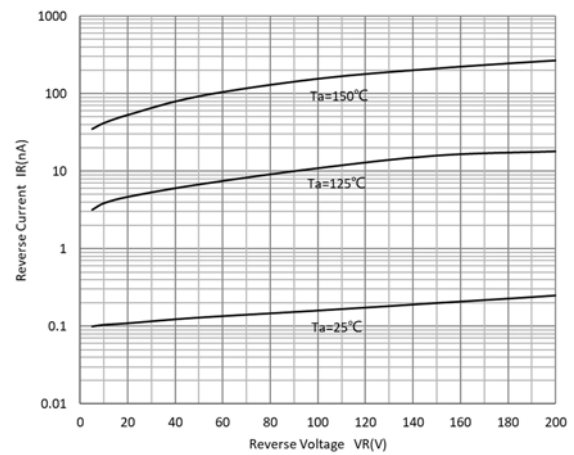


Fig 4: Typical Reverse Characteristics





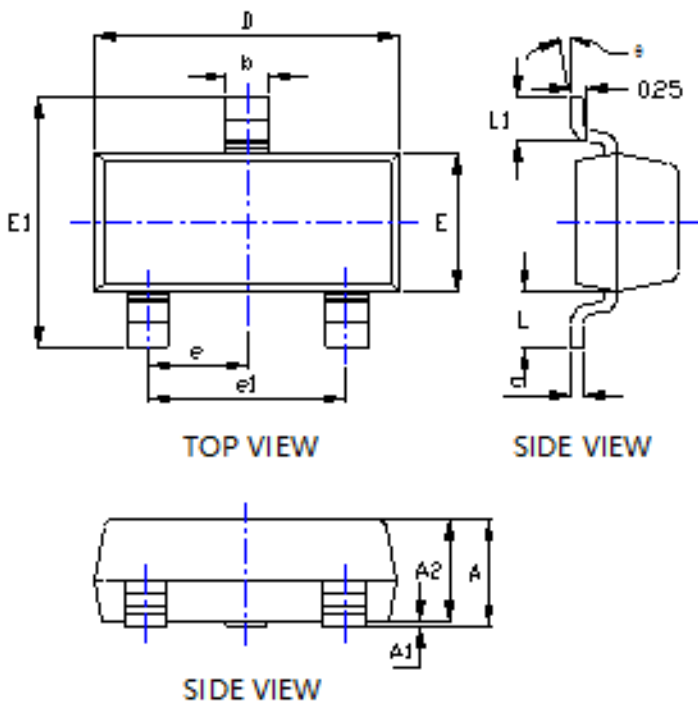
MMBD1501/1503/1504/1505

RoHS
COMPLIANT

■ Ordering Information

Prefered P/N	Packing code	Unit weight(g)	Minimum package(pcs)	Inner box quantity(pcs)	Outer carton quantity (pcs)	Delivery mode
MMBD1501	F2	Approximate 0.008	3000	30000	120000	7" reel
MMBD1501	F4	Approximate 0.008	10000	-	210000	13" reel
MMBD1503	F2	Approximate 0.008	3000	30000	120000	7" reel
MMBD1503	F4	Approximate 0.008	10000	-	210000	13" reel
MMBD1504	F2	Approximate 0.008	3000	30000	120000	7" reel
MMBD1504	F4	Approximate 0.008	10000	-	210000	13" reel
MMBD1505	F2	Approximate 0.008	3000	30000	120000	7" reel
MMBD1505	F4	Approximate 0.008	10000	-	210000	13" reel

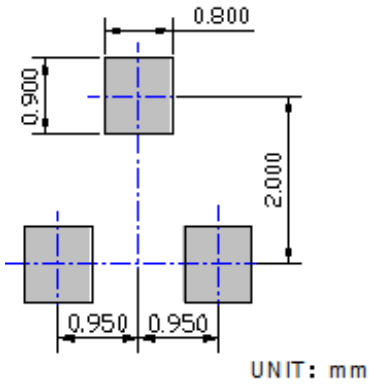
■ Outline Dimensions



SYMBOL	DIMENSIONS			
	INCHES		Millimeter	
	MIN.	MAX.	MIN.	MAX.
A	0.035	0.045	0.900	1.150
A1	0.000	0.004	0.000	0.100
A2	0.035	0.041	0.900	1.050
b	0.012	0.020	0.300	0.500
c	0.004	0.008	0.100	0.200
D	0.110	0.118	2.800	3.000
E	0.047	0.055	1.200	1.400
E1	0.089	0.100	2.250	2.550
e	0.037TYP		0.950TYP	
e1	0.071	0.079	1.800	2.000
L	0.022REF		0.550REF	
L1	0.012	0.020	0.300	0.500
θ	0°	8°	0°	8°



■ Suggested Pad Layout



Disclaimer

The information presented in this document is for reference only. Yangzhou Yangjie Electronic Technology Co., Ltd. reserves the right to make changes without notice for the specification of the products displayed herein to improve reliability, function, or design or otherwise.

The product listed herein is designed to be used with ordinary electronic equipment or devices, and not designed to be used with equipment or devices which require high level of reliability and the malfunction of which would directly endanger human life (such as medical instruments, transportation equipment, aerospace machinery, nuclear-reactor controllers, fuel controllers and other safety devices), Yangjie or anyone on its behalf, assumes no responsibility or liability for any damages resulting from such improper use of sale.

This publication supersedes & replaces all information previously supplied. For additional information, please visit our website [http:// www.21yangjie.com](http://www.21yangjie.com) , or consult your nearest Yangjie's sales office for further assistance.